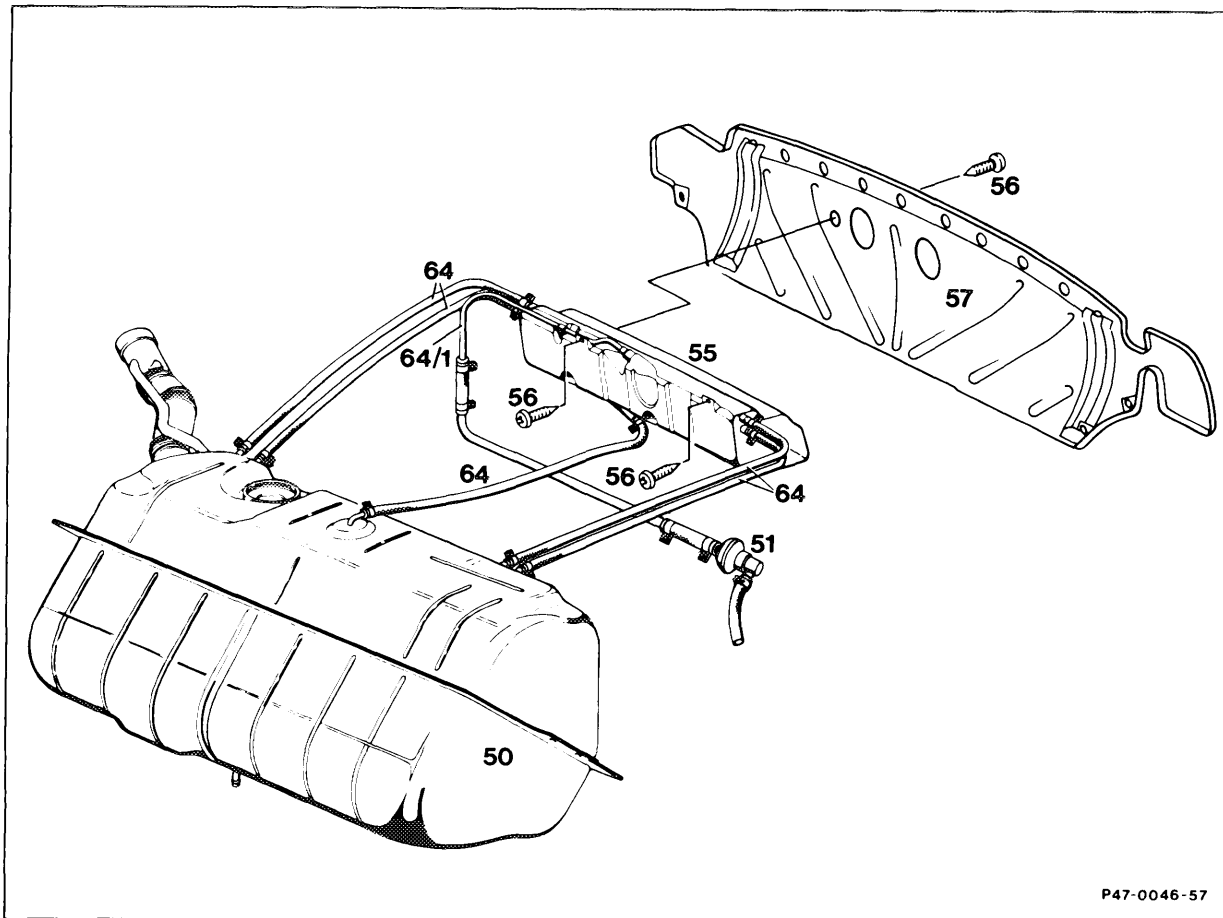


47-110 Removing and installing fuel expansion tank (Model 107)



P47-0046-57

- | | |
|---------------------------------|--|
| Hardtop | detach, fit on. |
| Soft top | raise, lower. |
| Screws (56a) | unscrew, screw in (trunk side). |
| Partition panel (57) | remove and install (68-0700). |
|
 | |
| Battery liner and battery | remove and install. |
| Vent lines (64, 64/1) | detach at fuel tank (50), fuel expansion tank (55) and below rear floor, attach. |

Note

Detach lining, stick on (MB Universal Adhesive 000 989 82 71).

Vent line (64.1) withdraw through trunk floor, insert.

Installation instruction

Check whether vent lines (64, 64.1) and fixing clips can be re-used (use only hose quality compatible with replacement parts).

Screws (56b) unscrew from soft top compartment side, screw in.

Fuel expansion tank (55) remove, insert.