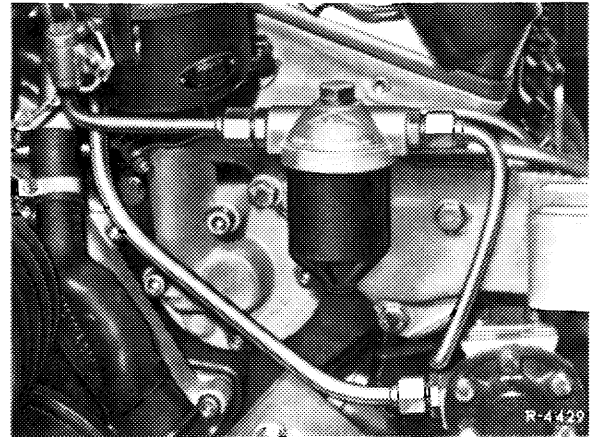


Tightening torque

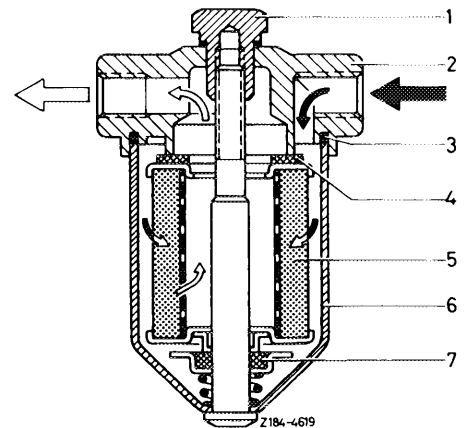
	Nm	(kpm)
Version A	Requires only slight tightening	
Version B	10 + 5	(1 + 0.5)

Fixing bolt for filter bowl

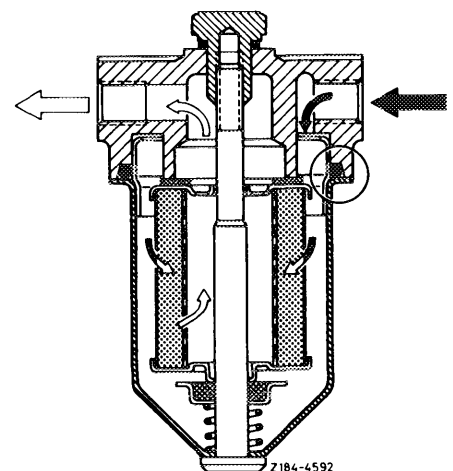
- Loosen fastening screw (1), take off filter bowl (6) and remove fine mesh element.
- Empty bowl, wash out and blow out.



- Clean fine mesh element (5) in cleaning gasoline with both openings closed and blow out with a weak air current from inside to outside.
- Renew rubber seal (3).
- Fit fine mesh element **with the attached felt facing upwards** into bowl and reassemble.



Version A



Version B