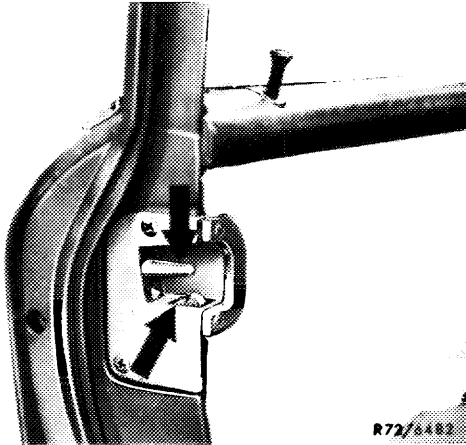


All models

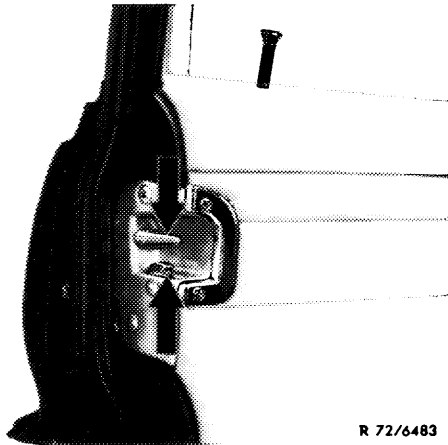
**Type of grease**

Shell Retinax G

refer to „Specifications for Service Products“ page 041



Pivoting tumbler lock



Rotary tumbler lock

Door lock: driver's door and rear door.

- Striker pin and striker eye.
- Contact surface of the pivoting tumbler or rotary tumbler.