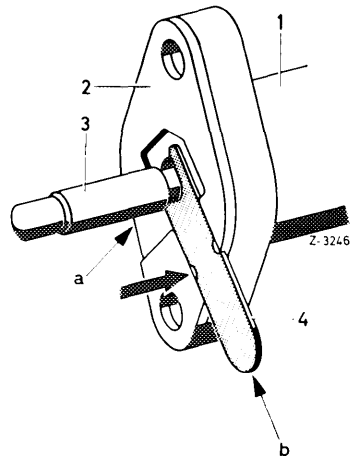


All types with manual transmission

### Special tool

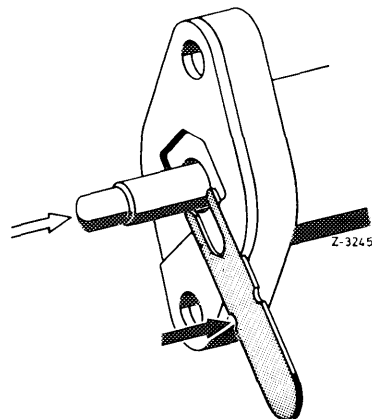
Gauge

115 589 07 23 00



- Push gauge between the clutch bell housing and the slave cylinder as far as possible and pay attention to the notches on the gauge.

- If the notches are not visible, driven plate **wear is not serious.**



- If the notches are visible, **the wear limit** of the driven plate **has been reached. Exchange driven plate.**

- 1 Slave cylinder
- 2 Spacer between slave cylinder and clutch housing
- 4 Gauge