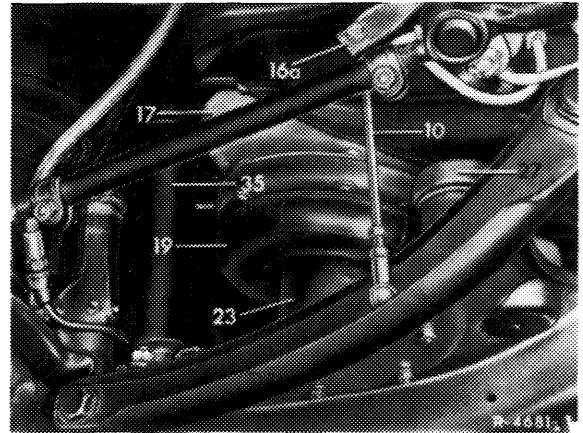


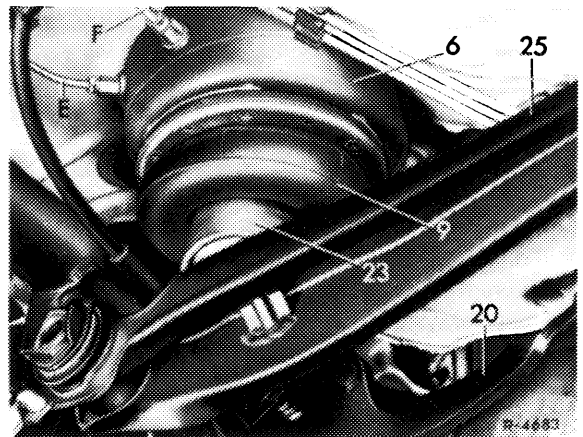
- Check air bellows on front and rear axles for cracks carefully.

Note: Hairline cracks on the outer coating of the air bellows are not significant. If larger cracks appear renew air bellows, which in any case should be renewed every 90 000 km/56 000 miles at the latest.



Air suspension at front axle

- | | |
|----------------|------------------|
| 17 Air chamber | 23 Spring piston |
| 19 Air bellows | |



Air suspension at rear axle

- | | |
|---------------|---------------|
| 6 Air chamber | 23 Air piston |
| 9 Air bellows | 25 Torque arm |