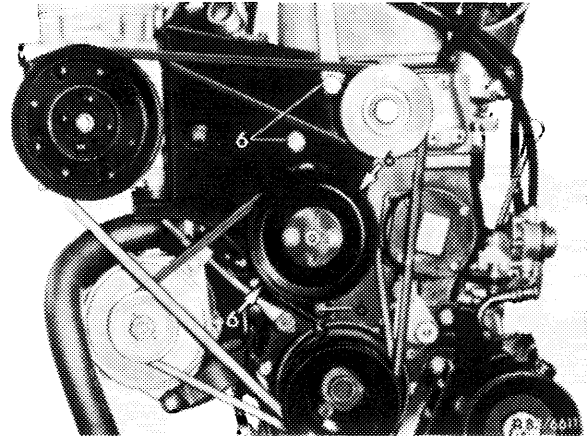


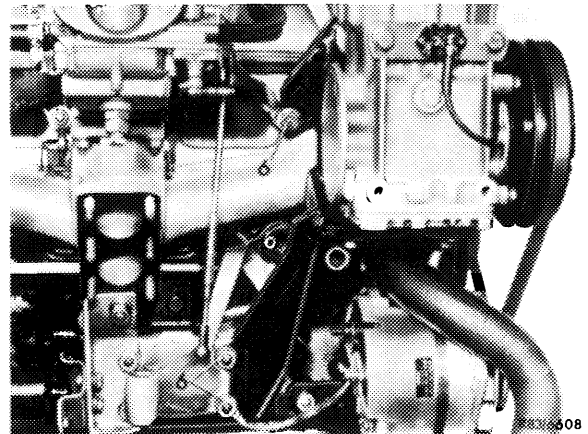
All engines except 130.983

Tightening torques	Nm	(kpm)
8-mm bolts	35	(3.5)
10 mm bolts	30–35	(3–3.5)
12 mm bolts	40–45	(4–4.5)

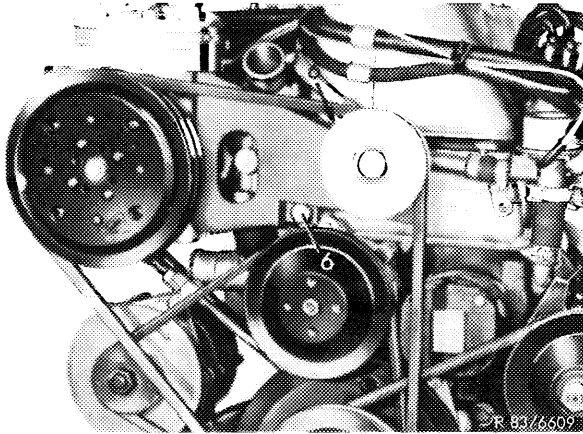
- Check fixing bolts and nuts on the refrigerant compressor bracket on the engine for a tight fit and retighten, if required.



Engines 115, 615, 616, 617  
6 Hex-hd. bolt

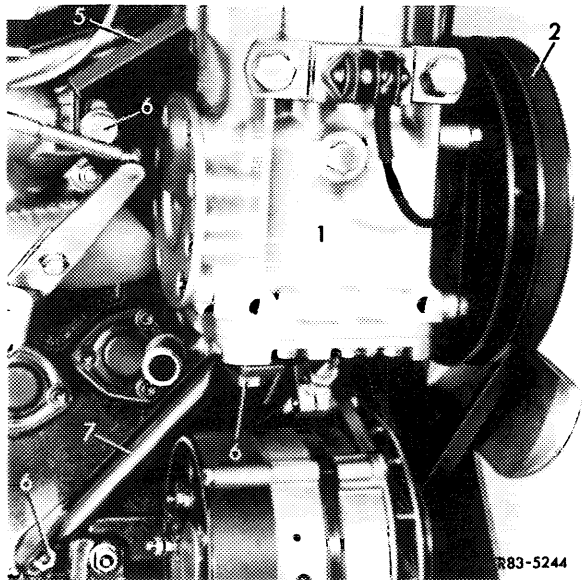


Engines 115, 615, 616, 617  
6 Hex-hd. bolt/nut



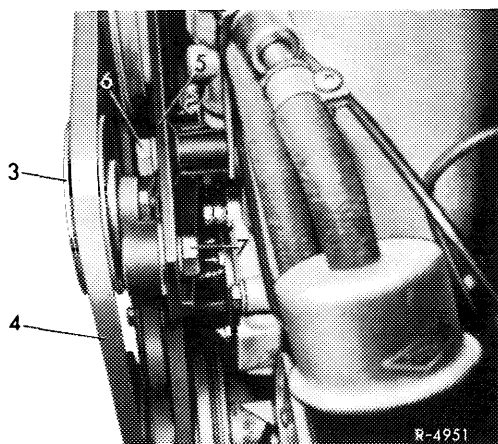
Engines 114, 130

6 Hex-hd. bolt



Engines 114, 130

6 Hex-hd. bolt/nut



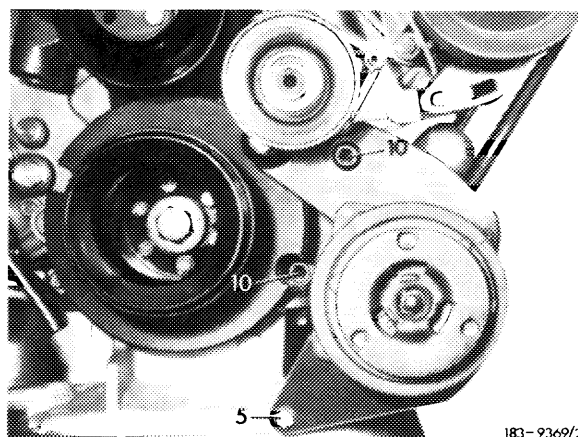
Engines 114, 130

6 Hex-hd. bolt



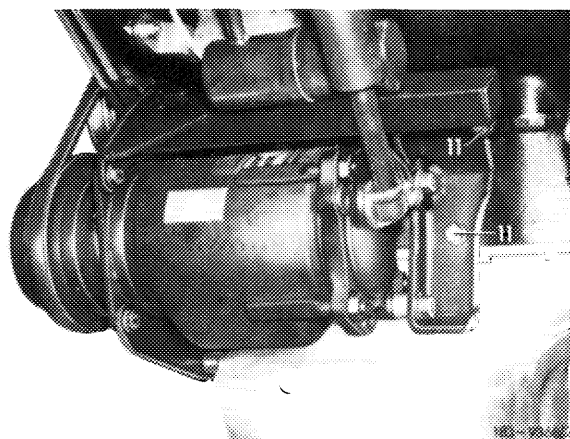
Engines 116, 117 (Support mounting, version 1)

- 5 Hex-hd. screw
- 10 Hexagonal socket screw



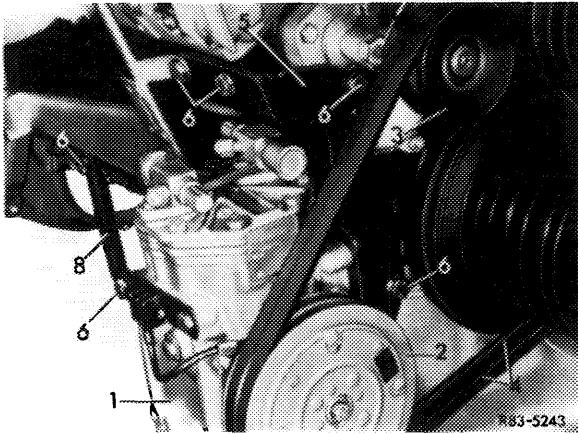
Engines 116, 117 (Support mounting, version 2)

- 5 Hex-hd. screw
- 10 Hexagonal socket screw and/or hex-hd. screw
- 11 Hex-hd. screw

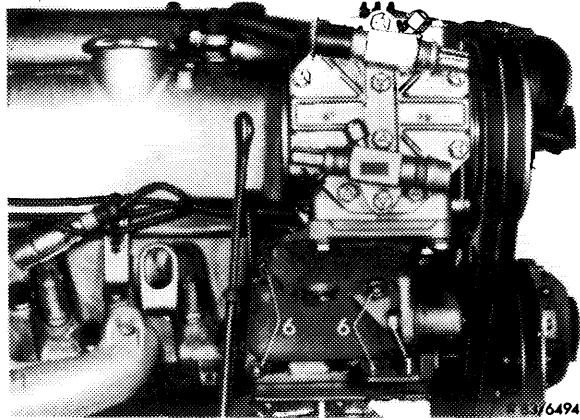


Engines 116, 117

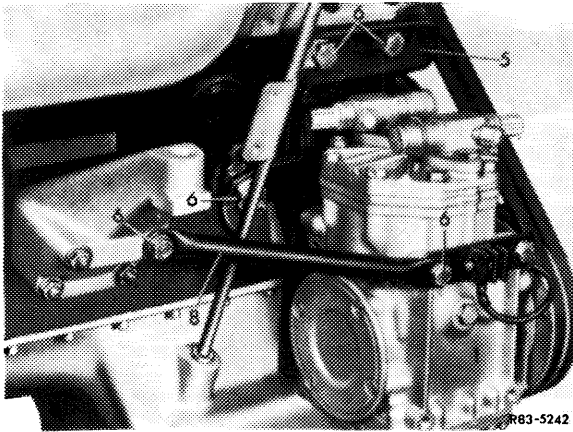
- 11 Hex-hd. screw



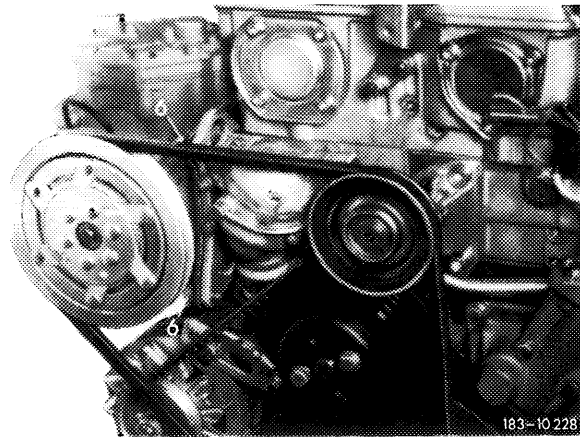
Engine 100.981  
6 Hex-hd. bolt



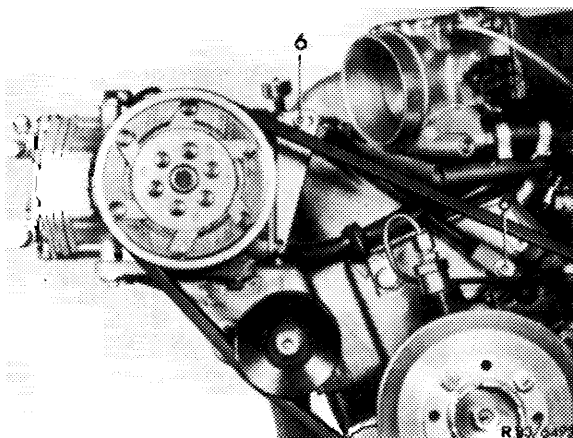
Engine 100.980  
6 Hexagonal socket screw



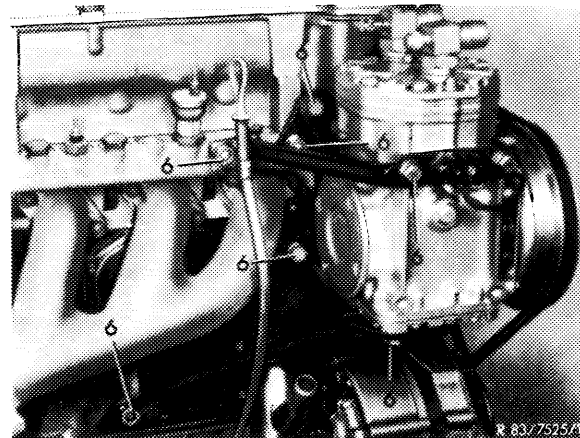
Engine 100.981  
6 Hex-hd. bolt/nut



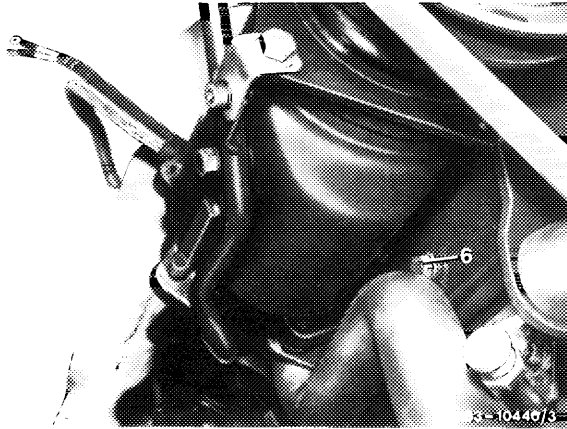
Engine 110  
6 Hex-hd. bolt



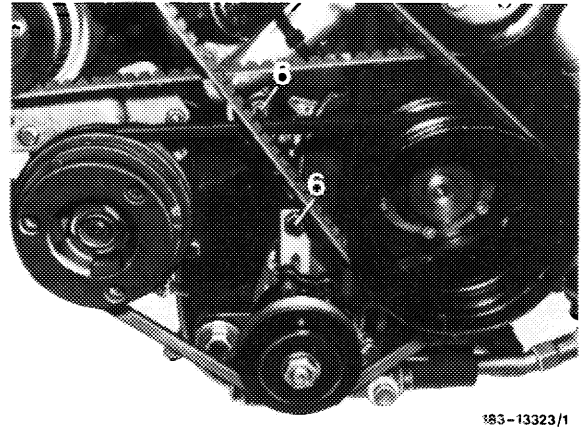
Engine 100.980  
6 Hexagonal socket screw



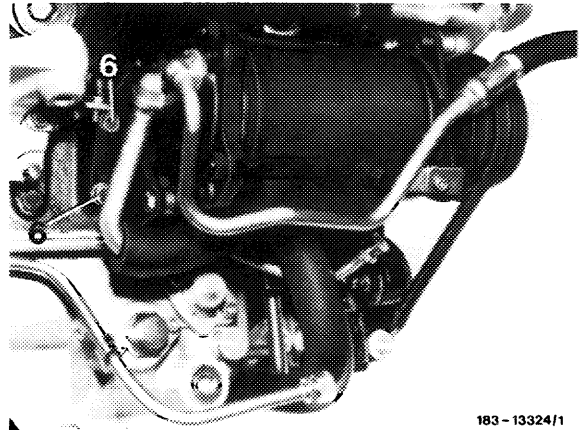
Engine 110  
6 Hex-hd. bolt/nut



Engine 100.985  
6 Bolts



Engine 100.985



Engine 100.985