

All models

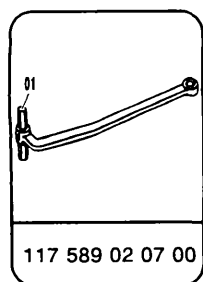
Oil grades

Differential without limited slip approved oil grades	Hypoid gear oil SAE 90, 85W/90 Refer to MBNA Factory Approved Service Products list
Differential with limited slip and vehicles with 4MATIC approved oil grades (note information plate on rear axle housing)	Special hypoid gear oil SAE 90 Refer to MBNA Factory Approved Service Products list

Capacities

Model	Liters
107.025/045/048, 124.034/036/051, 126.03/04, 129.061/066, 140.03/04	1.3
123, 126.02, 126.1	1.0
201.024/122/126	0.7
124.026/03/050/09/13/19/2, 201.028/029/03 124 with 4MATIC	1.1
140.05/134	1.4

Special tools

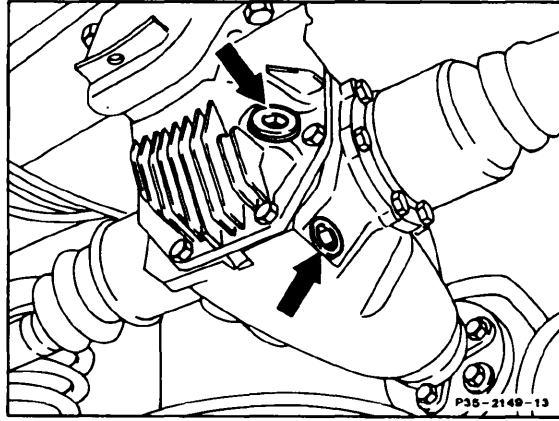


Commercial tools

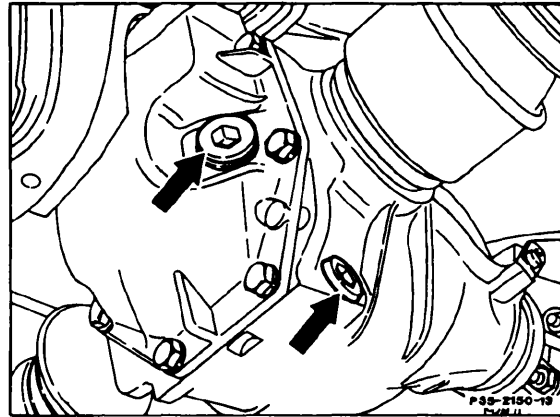
14 mm hex. driver insert, 1/2" square drive	obtain locally
---	----------------

Note: Vehicle should be horizontal when checking oil level and when changing oil.

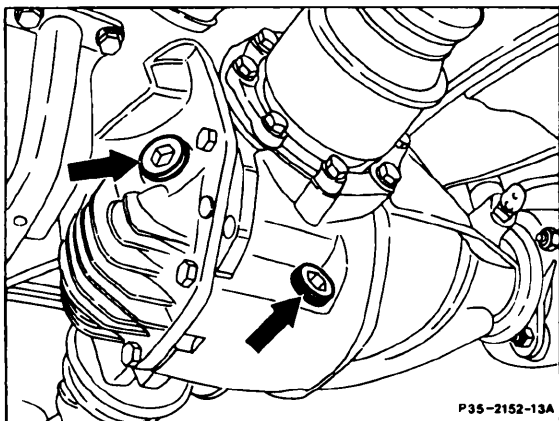
- Prior to oil change, check rear axle for leaks.
- Drain oil only with rear axle at operating temperature.
- Add specified quantity of oil.
- Check oil level. Oil level should be up to filler opening.
- Torque oil filler plug and drain plug to 50 Nm.



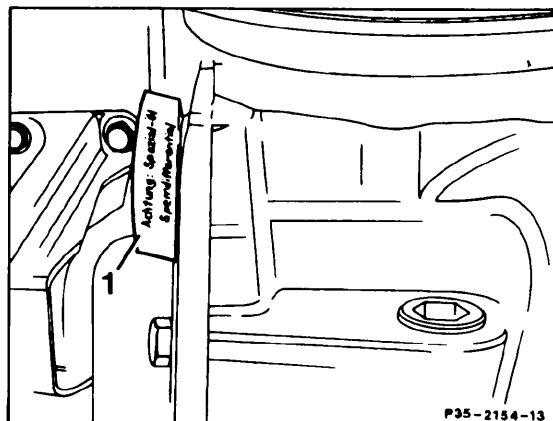
Rear axle centerpiece **with** side bearing covers
model 123 (up through 01.1981)



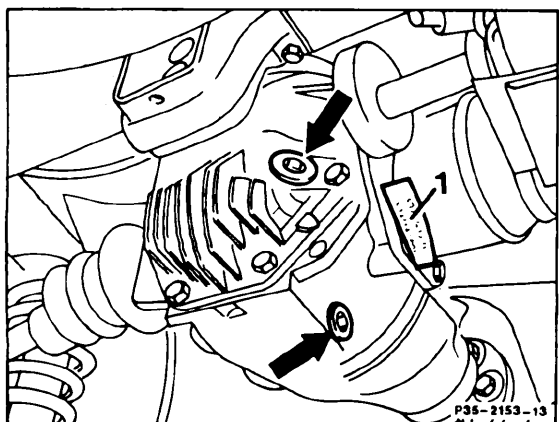
Rear axle centerpiece **without** side bearing covers
model 123 (from 02.1981) model 126.02/1 (from start of
production)



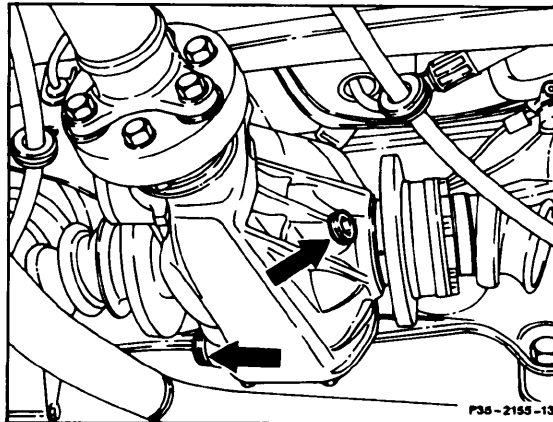
Model 107.025/045/048, 126.03/04
Differential **without** limited slip



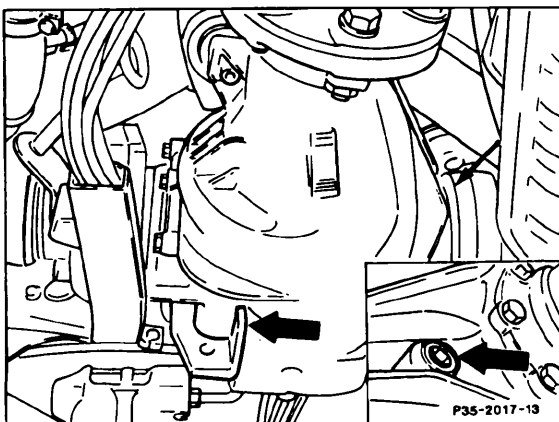
Model 126.04
Differential **with** limited slip
1 Information plate for limited slip differential



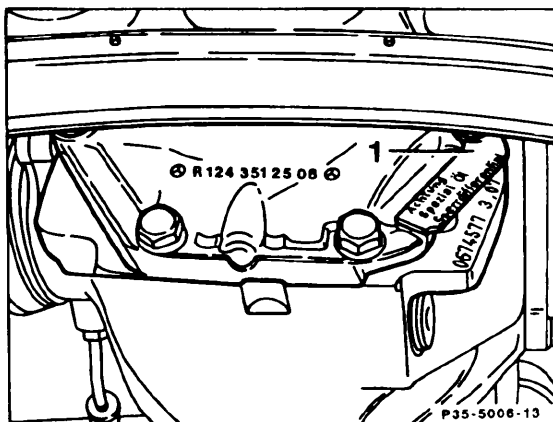
Model 107.025/045/048, 126.03
Differential **with** limited slip
1 Information plate for limited slip differential



Model 124, 201



Model 129, 140



Vehicles with 4MATIC or ASD
1 Information plate for limited slip differential