

**Model 107 starting 08. 1985**  
**124**  
**126 starting 09. 1985**  
**129**  
**140**  
**201**

### Front brake pad specifications in mm

Model	107 <sup>1)</sup> 124.034 <sup>2)</sup> / 036/051 126 129	124 (except 124.034/036/ 051 201.034	124.032/ 034 <sup>3)</sup> / 052/066/ 092	140.03 2 piston caliper	140.04/05 4 piston caliper	201.01 201.02 201.1
Thickness of brake pad (pad and backing plate)	17.5	19.3	16	18.5	19.3	17.9
Wear limit at maintenance service (pad and backing plate)	12	14	11	13	13	13
Allowable wear of lining to a thickness of	2	2	2	2	2	2

1) The backing plate is modified to fit the 4 piston fixed caliper starting 09/85. As a result, pads from models 123 and 126 can no longer be installed.

2) through 09/92.

3) starting 10/92.

### Rear brake pad specifications in mm

Model	107 124 <sup>1)</sup> 126 129.06 201.03	124.036 129.07 140	201.01 201.02
Thickness of brake pad (pad and backing plate)	15.5	16	13.5
Wear limit at maintenance service (pad and backing plate)	11	13	10
Allowable wear of lining to a thickness of	2	2	2

1) Installed on model 124.036 through 11/92.

2) starting 12/92.

## Front brake disk specifications in mm

Model	Brake pad thickness	Wear limit	Limit at maintenance service
107 124.026 124.028 124.030 124.050 124.051 124.090 124.128 124.2 201.028 201.029 201.034 201.128	22	19.4	20
124.034 124.036 126 129.06 140.03 140.1	28	25.4	26
124.032 124.034 124.052 124.066 124.092	25	22.4	23
124.036 140	30	27.4	28
129.07	30	28	28.5
201.024 201.122 201.126	11	9	29.5

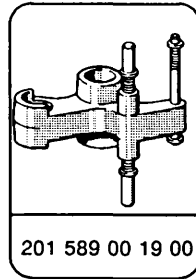
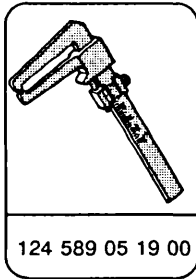
1) Installed on model 124.036 through 11/92.

2) starting 12/92.

## Rear brake disk specifications in mm

Model	Brake disk thickness	Wear limit	Limit at maintenance service
107 126	10	8.3	8.6
124.030 124.032 124.05 124.06 124.090 124.1 124.2 129.06 201	9	7.3	7.6
124.092	20	17.4	18
124.034 124.036	24	21.4	22
129.07 140.04 140.05	22	19.4	20
140.03 140.1	12	9.8	10.5

## Special tools



## Checking brake pads

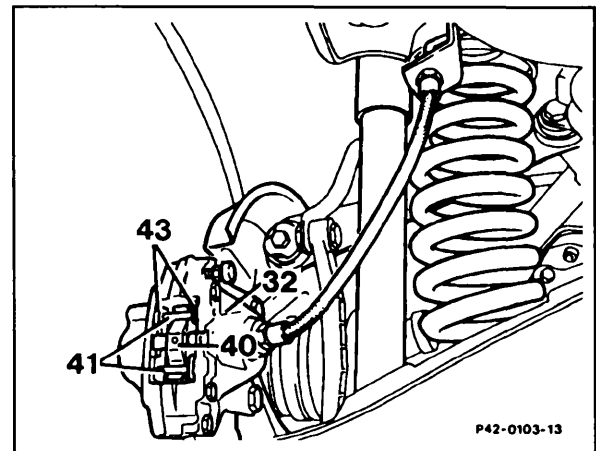
- Check pad thickness on front and rear axle (pads installed). If necessary, replace pads on separate order.

### Note:

To make sure that the wear limit is not exceeded before the next maintenance job, refer to the recommended limits in the chart at beginning of the chapter.

### **IMPORTANT NOTE!**

On vehicles that are driven fewer than 6,000 miles per year, remove, clean, and reinstall brake pads on separate order. In addition, check that dust boots and pistons move freely.

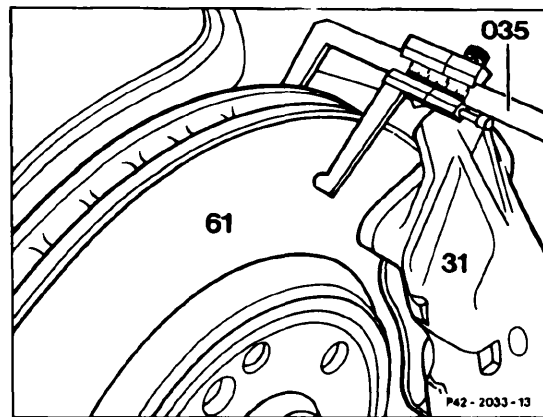


**Checking brake disks**

- Check brake disks for score marks and cracks. Cracks in a circumferential direction up to 0.5 mm in depth are permitted.

**Note:** Brake disks which are badly discolored - gray or blue discoloration should be cleaned with cleaning pads (at extra cost).

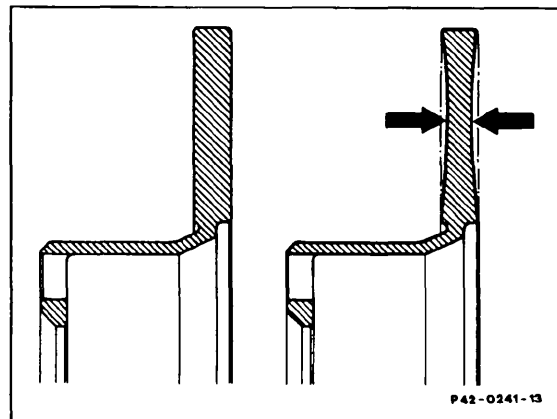
- Measure thickness of brake disk using special tool (035).



**Note:** Wear limits for brake disks must be strictly observed.

To ensure that brake disk does not exceed wear limit before next maintenance service, observe wear limits in chart at beginning of chapter.

Ventilated brake disks with hairline cracks up to 25 mm in length, which may show up under high loads, need not be replaced. Replace disks with open cracks and score marks deeper than 0.5 mm immediately.



**Note:** If measuring the front brake pads shows that they must be replaced, perform the following additional jobs on separate order:

a) Check all brake disks for wear.

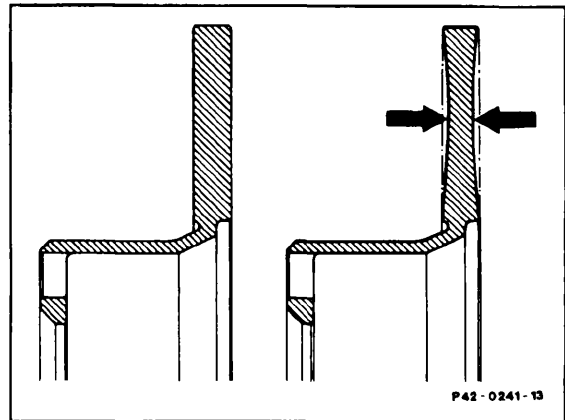
Wear limit:

Ventilated front brake disks	19.4 mm
Solid front brake discs	9 or 10 mm
Rear brake disks	7.3 mm

**Note:** To make sure that the wear limit is not exceeded before the next maintenance job, the smallest dimension on the ventilated front disk, should be greater than 20.0 mm, on the solid front disk greater than 9.5 mm or 10.5 mm, and on the rear brake disk greater than 7.6.

b) Check brake pads or rear wheel brake for wear. Brake pads must be replaced when the distance between the eye of the lining back plate and the cross spring is approx. 3 mm.

c) Check dust caps and that pistons move freely in brake calipers.

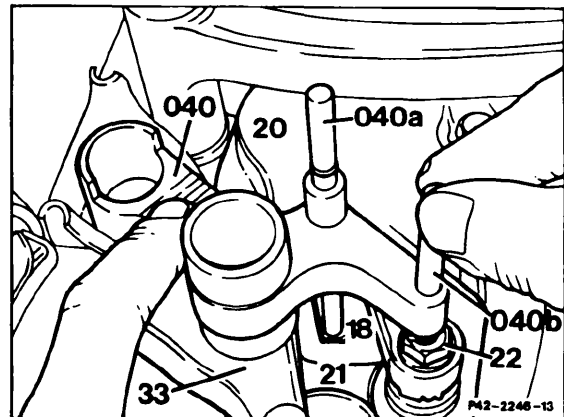


## Measuring procedure

### Model 201 through 12/84

Position measuring device on hex. head bolts of spring strut and brake caliper mounting of steering knuckle. Supporting surfaces must be clean.

Press measuring device against steering knuckle.



Slip long pin against backing plate of inner pad and short pin against head of caliper to brake carrier mounting bolt.

Remove measuring device and read brake pad wear on measuring pins. If less than 6 measuring rings can be seen, more than approx. 6 mm of the total pad thickness of 12 mm on models 201.02, 201.1, and of 13 mm on model and 201.03 are worn out. In this case it is recommended that the brake pads be replaced, provided the customer does not want to use up the remaining pad thickness until the wear indicator lights up.

**Note:** The short pin measures outer pad wear, the long pin measure inner pad wear.