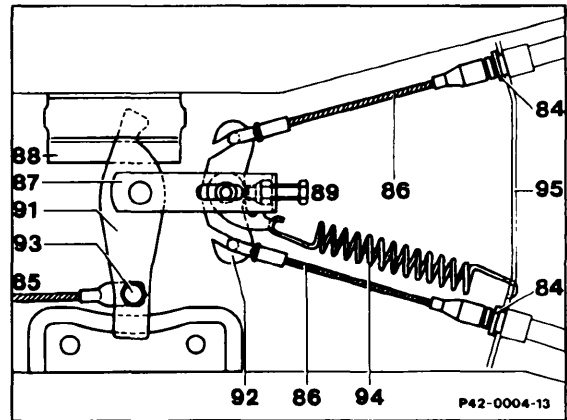


All models

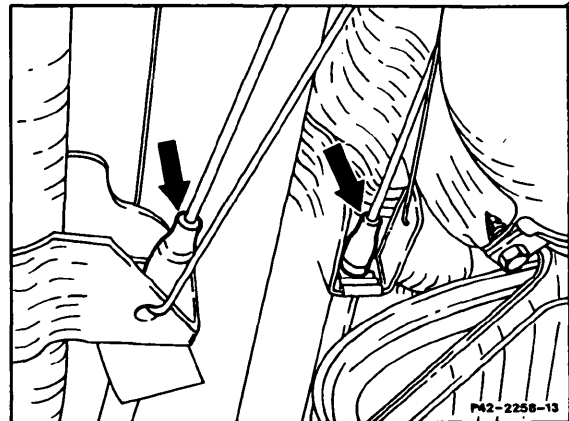
- Apply parking brake several times, while an assistant checks the operation of the rear cables, the intermediate and compensating lever, and the front cable.

- 85 Front brake cable
- 86 Rear brake cable
- 89 Adjustment screw
- 91 Intermediate lever
- 92 Compensating lever

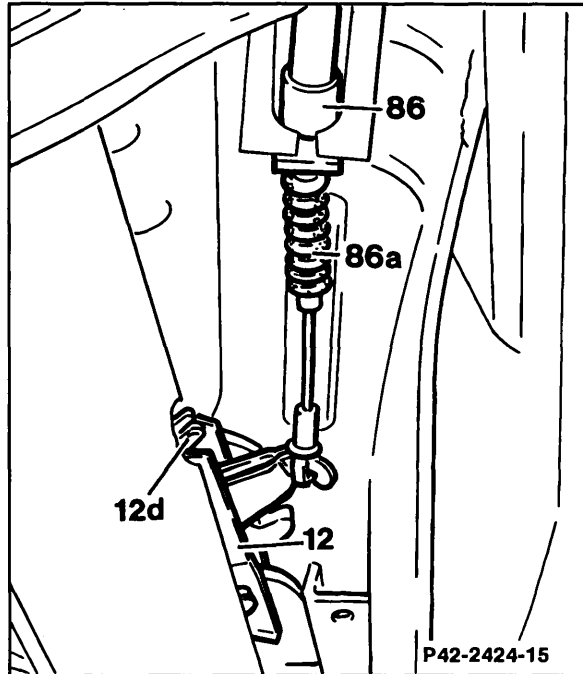


Models 124, 129, 201

- Visually check brake cables, paying particular attention to the rubber sleeves (arrows) that seal cable to guide.



Models 124, 129, 201



- 12 Automatic cable length compensator
- 86 Rear brake cable
- 86a Rubber boots

Model 140