

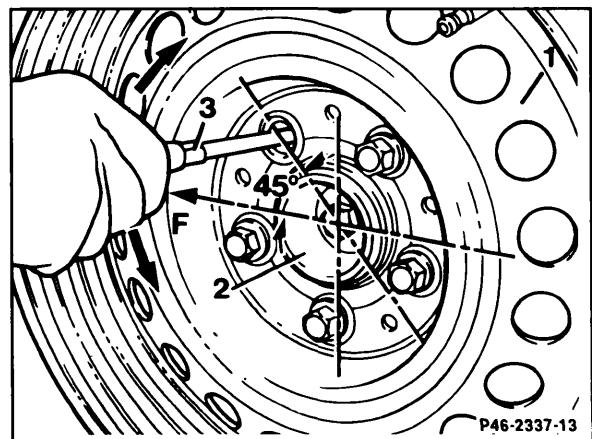
Model 107 up through 07/1985
123
126 up through 08/1985

Adjusting specifications (except model 140)

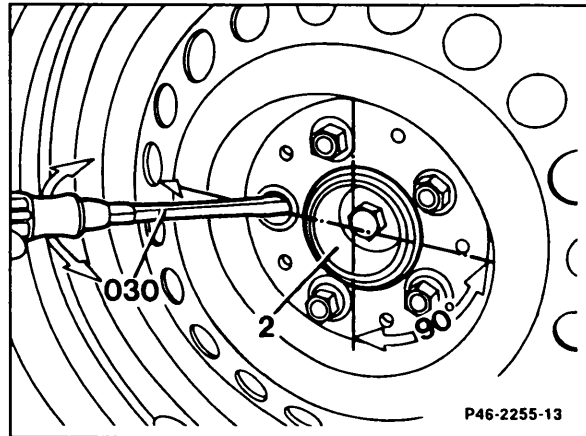
Model	107	123, 126
Parking brake reduction ratio	22	35.6
Number of notches on quadrant	6	12
Force required to pull or push parking brake lever from rest position to first notch	150 – 180 N	120 – 150 N
Number of notches until parking brake becomes effective.	1 – 2	1 – 2

Note: The parking brake should be adjusted if the pedal (on vehicles with **foot operated parking brake**) can be depressed more than 2 notches (model 107) or 4 notches (models 123, 126), without any noticeable braking effect.

- Remove one wheel bolt from both sides on rear axle.
- Jack up rear of vehicle.
- On vehicles with **semi-trailing arm suspension**, turn each rear wheel so that the bolt hole points 45° up in a forward direction.



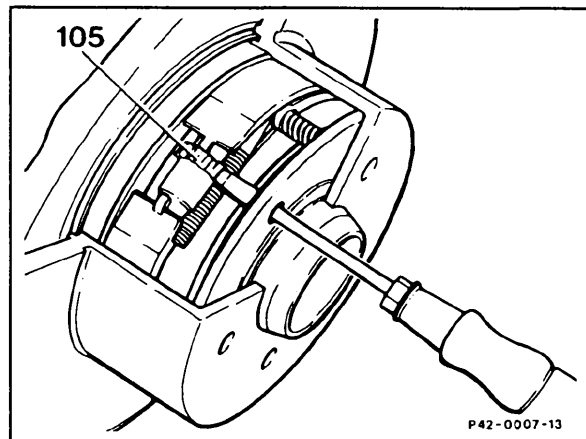
- On vehicles with **semi-trailing arm suspension with torque compensation**, turn each rear wheel so that the bolt hole is pointing forward.



- Using screwdriver inserted through bolt hole of wheel, brake disk, and axle flange, turn adjuster until it can no longer be rotated. Then back adjuster off 2-3 teeth, until wheel turns freely.

Note: To tighten brake shoes, adjust as follows:

Vehicles with **semi-trailing arm suspension:**
Left hand side: from bottom in upward direction.
Right hand side: from top in downward direction.

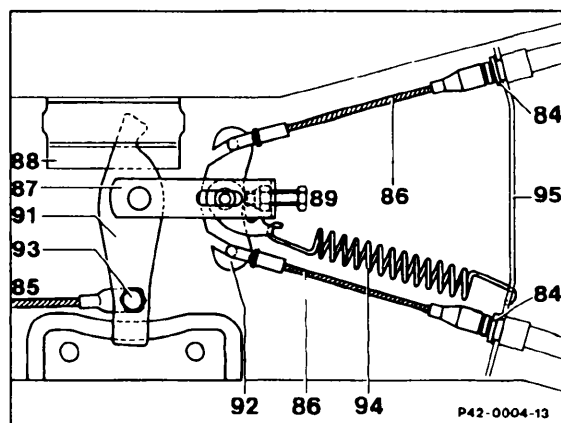


105 Adjuster

Vehicles with **semi-trailing arm suspension with torque compensation:**
Left hand side: from bottom in upward direction.
Right hand side: from top in downward direction.

Note:

When adjusting the parking brake, do not adjust the adjusting screw on the intermediate lever. this is used only to compensate for the length of the cables.



Model 107 starting 08/1985
124
126 starting 09/1985
129
140
201

Adjusting specifications (except model 140)

Model	107	124 129 through 09/89	124 129 starting 10/89	126	201 through 01/87	201 starting 02/87
Parking brake reduction ratio	21.32	28.4	28.4	33.44	25.2	25.2
Number of notches on quadrant	6	11	15	12	8	12
Force required to pull or push parking brake lever from rest position to first notch	150- 180 N	150- 180 N	150- 180 N	120- 150 N	90- 120 N	90- 120 N
Number of notches until parking brake becomes effective.	1	1	1	1	1	1
Number of notches at which parking brake should be adjusted if no adequate braking effect is felt	2	4	5	4	2	3
Number of teeth on adjuster	through 03/84 10 starting 04/84 10	- 15	- 15	10 10	8 15	- 15

All models except 140

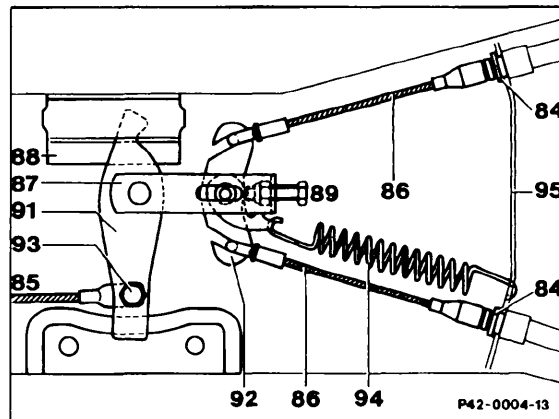
Note: The parking brake should be adjusted if the pedal (on vehicles with **foot operated parking brake**) can be depressed more than 2 notches (model 107) or 4 notches (models 124, 126, 129), without any noticeable braking effect. On vehicles with **lever operated parking brake**, the parking brake should be adjusted if the lever can be pulled more than 2 notches without any noticeable braking effect.

- Loosen adjusting screw (89) completely. The expanding locks should not be preloaded.

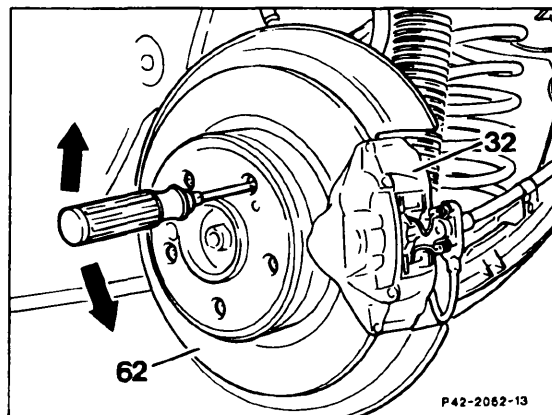
Note:

Light alloy wheels must be removed.

- Remove one wheel bolt from both sides on rear axle.
- Jack up rear of vehicle.

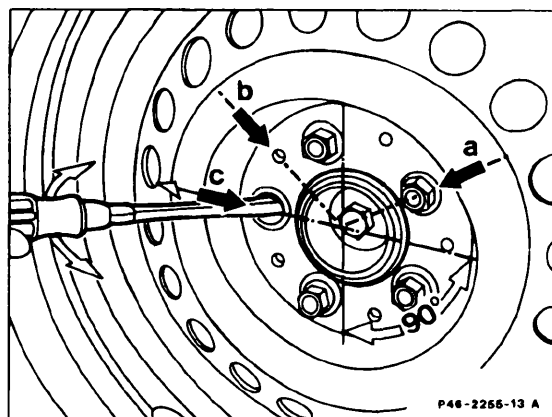


- Turn brake disk so the adjuster can be turned by using a screwdriver inserted through a bolt hole.



Note:

Location of adjuster shown on left rear wheel; right side is mirror image.

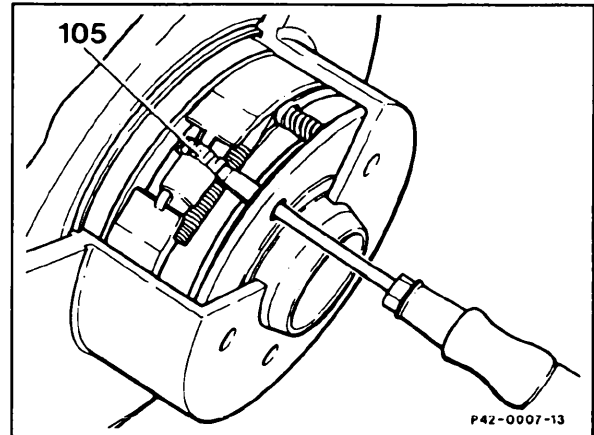


- a) Multi-link suspension (Models 124, 129, 201)
- b) Semi-trailing arm suspension (Models 107, 126)
- c) Semi-trailing arm suspension with torque compensation (Models 107, 126)

- Using screwdriver inserted through bolt hole of wheel, brake disk, and axle flange, turn adjuster until it can no longer be rotated. Then back adjuster off 2-3 teeth on adjuster with 8-10 teeth; 5-6 teeth on 15 tooth adjusters, until wheel turns freely.

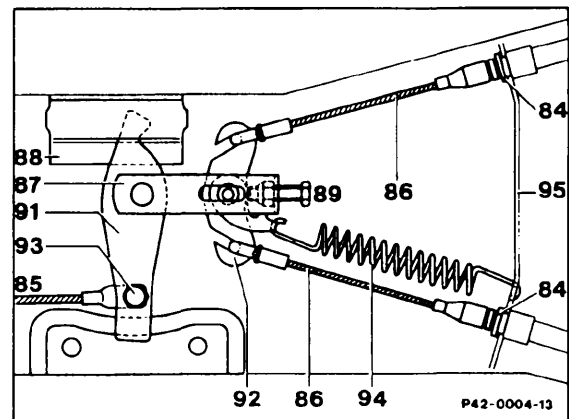
Note: To tighten brake shoes, adjust as follows:
Left hand side: from bottom in upward direction.

Right hand side: from top in downward direction.



105 Adjuster

- Tighten adjusting bolt (89) until brake cables no longer sag.
- Apply parking brake vigorously several times at approx. 400 N.



Pedal operated parking brake:

- Turn adjusting bolt (89) in bracket (87) until pedal is depressed by 1 tooth when the following forces are applied:

Models 107, 124, 129: 150-180 N

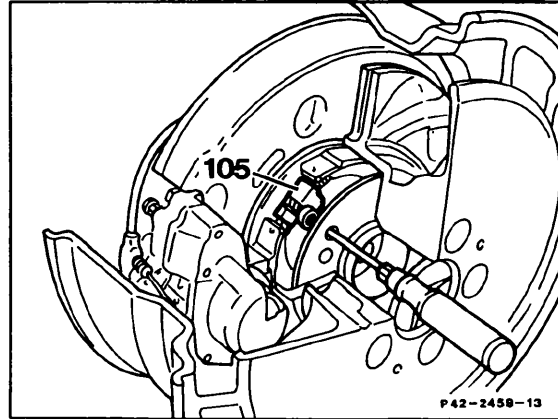
Model 126: 120-150 N

Lever operated parking brake:

- Turn adjusting bolt (89) in adjusting bracket (87) until lever can be tightened by one tooth at a force of approx. 90-120 N.

Model 140

- Jack up rear of vehicle.
- Remove one wheel bolt from left and right sides. Do not remove wheel.
- Turn wheel so that bolt hole is positioned at a 45° angle from the top, towards the rear.
- Using a phillips head screwdriver, turn the adjuster (105) to the right until the rear wheel can not be turned. Then loosen adjuster 5 1/2 turns (mark screwdriver) until wheel turns freely.
- Apply parking brake vigorously several times.
- Release parking brake and check that rear wheels turn freely.
- Install wheel bolt and torque to 150 Nm.



105 Adjuster