

All models

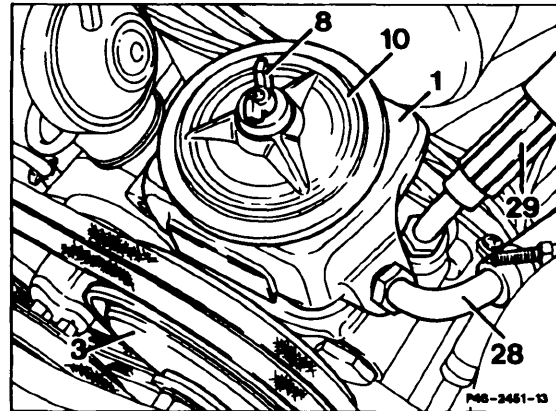
Oil grade

MB steering gear oil p/n 000 989 88 03

Refer to MBNA Factory Approved Service Products list

VT 27, VT 49 and ZL 49

- Unscrew wing nut or knurled nut (8) from reservoir and remove cover (10)

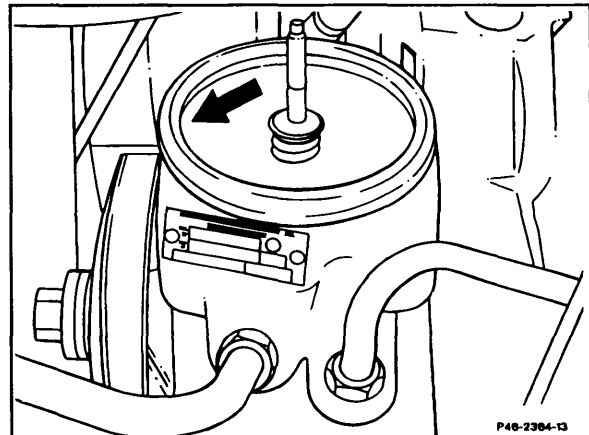


- Warm fluid level (operating temperature, approx. 80°C) up to stamped or cast in mark (approx. 20 mm below reservoir edge).
- Cold fluid level (room temperature 20°C) 6-8 mm below mark.

⚠ CAUTION!

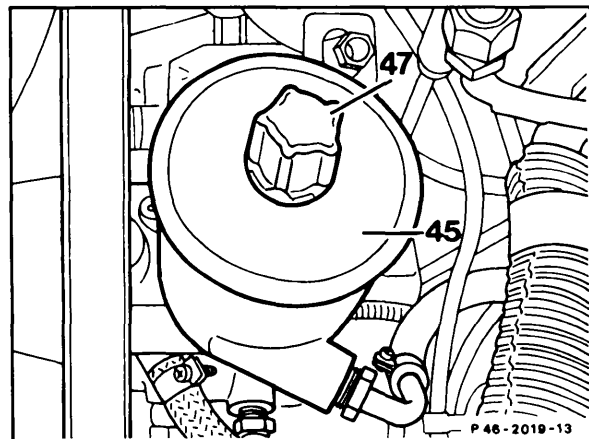
Do not overfill reservoir. During maintenance work, the oil is often only at room temperature.

- Install cover, making sure that gasket seats properly. Screw on wing nut, or knurled nut.



VT 61, VT 161, VTP 62, VTP 162, ZL 61 and ZL 161

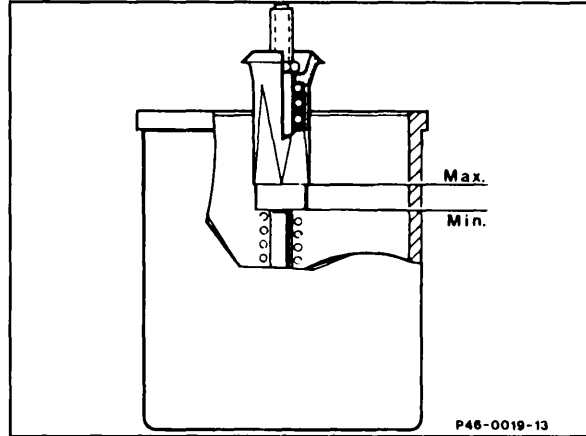
- Unscrew vent cap (47), wing nut or knurled nut from reservoir and remove cover (45)



45 Cover
47 Vent cap

Version through 12/90

Warm fluid level (operating temperature, approx. 80°C) 18-26 mm below upper reservoir edge.
Cold fluid level (room temperature 20-50°C) between minimum and maximum marks.

**Version starting 1/91**

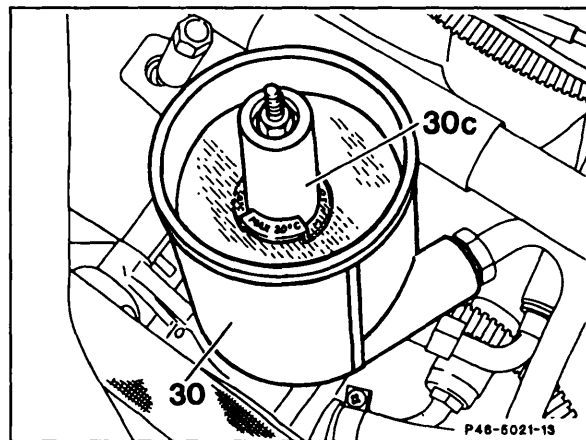
Cold fluid level (room temperature 20°C) between minimum and maximum marks on plastic sleeve (30c).

- Add fluid, if necessary.

⚠ CAUTION!

Do not overfill reservoir.

- Install cover, making sure that gasket seats properly. Screw on vent cap, wing nut, or knurled nut.

**Engine 120**

- Remove cover between cylinder head covers.
- Remove filler cap. The integral dipstick shows the correct minimum and maximum markings and the respective temperature ranges.

