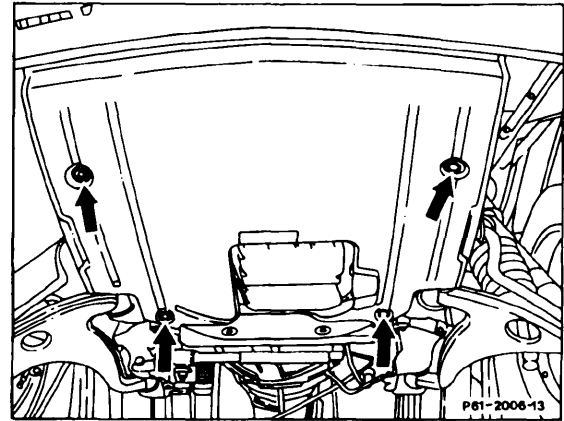


Model 124.0/2 129 140 201.0

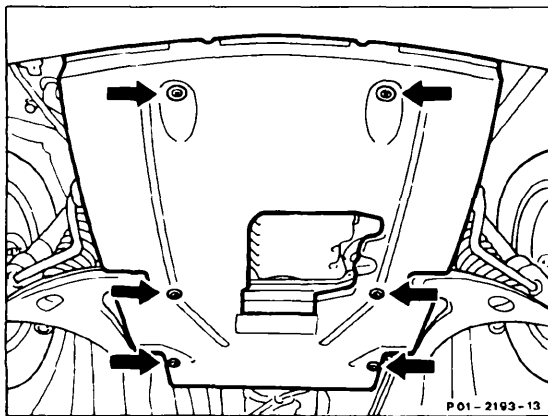
Unscrew small bolts (arrows) and remove engine compartment lower panel.

Install in reverse sequence.

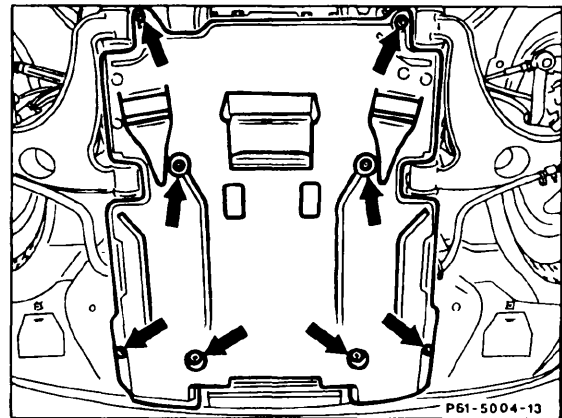
Note: On model 129 and 201.028/029 install engine compartment lower panel so that the edges of the side panels overlap the lower panel.



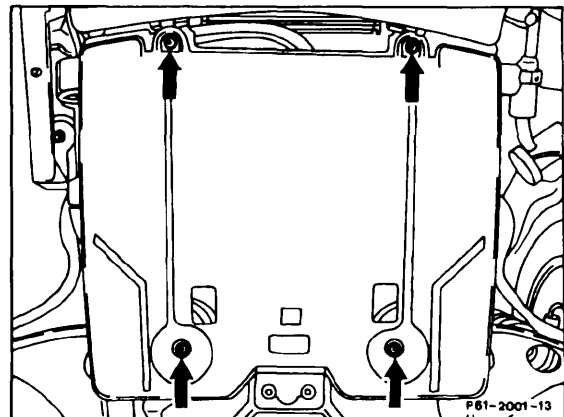
Model 124 Engine compartment lower panel, short version



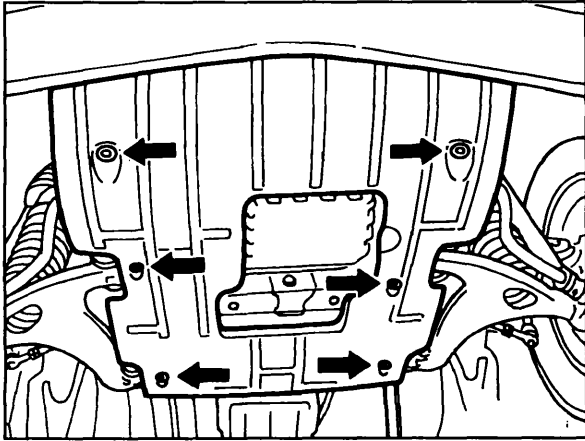
Model 124 Engine compartment lower panel, long version



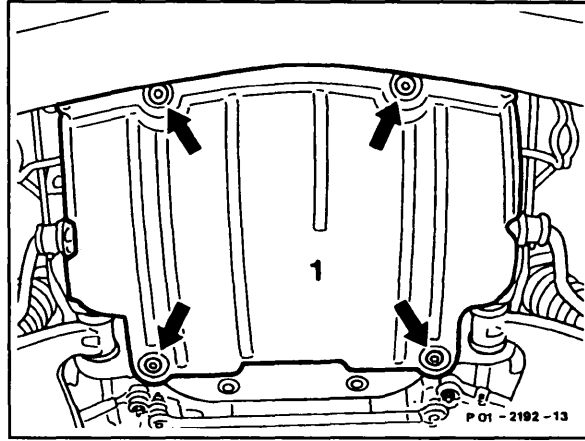
Model 124.036



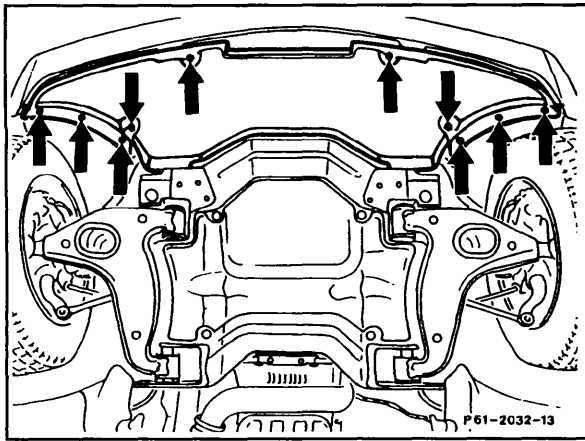
Model 129



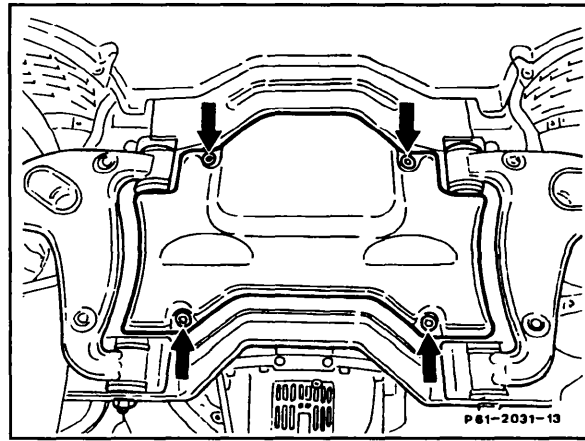
Model 201.024/028/034



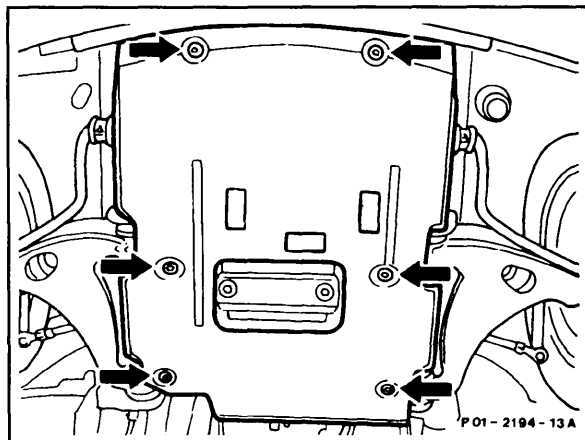
Model 201.028



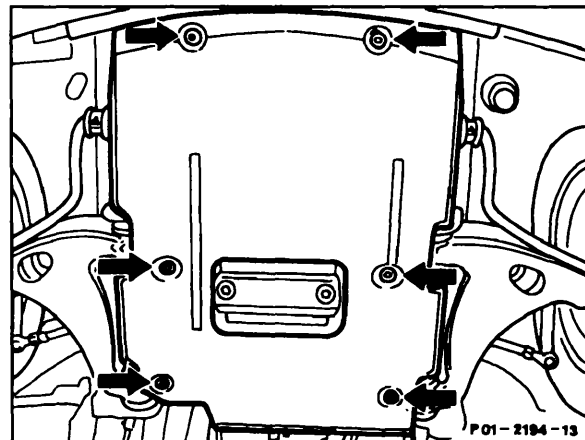
Model 140 front section



Model 140 rear section



Model 201.029 with cooling openings

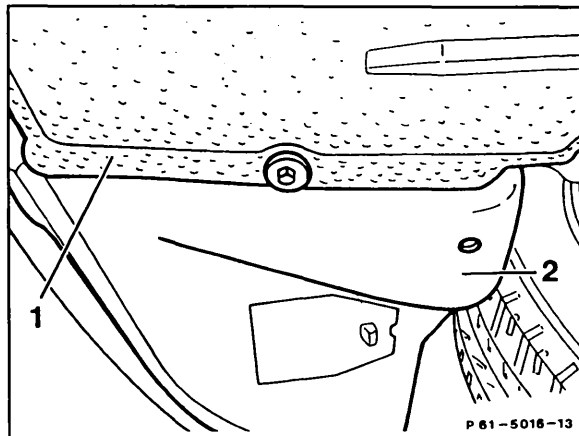


Model 201.029 without cooling openings

Models 124.036, 140

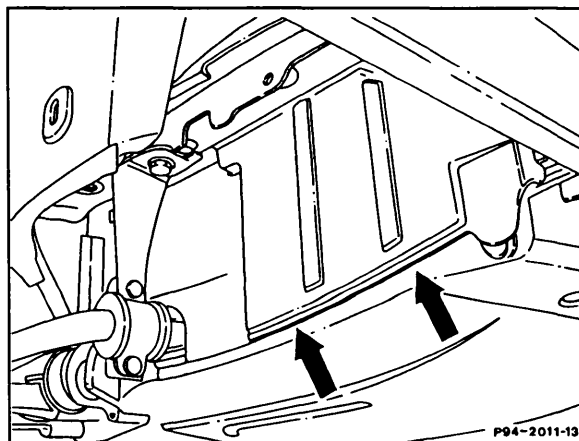
Install lower engine compartment cover (1) so that it overlaps the wheel well covers (2).

Model 124.036



Models 124 (except 124.036), 201

Install the side panels so that the edges overlap the engine compartment cover.



Model 129

Install lower engine compartment cover (1) so that the side panels (3) are positioned inside the lower engine compartment cover.

