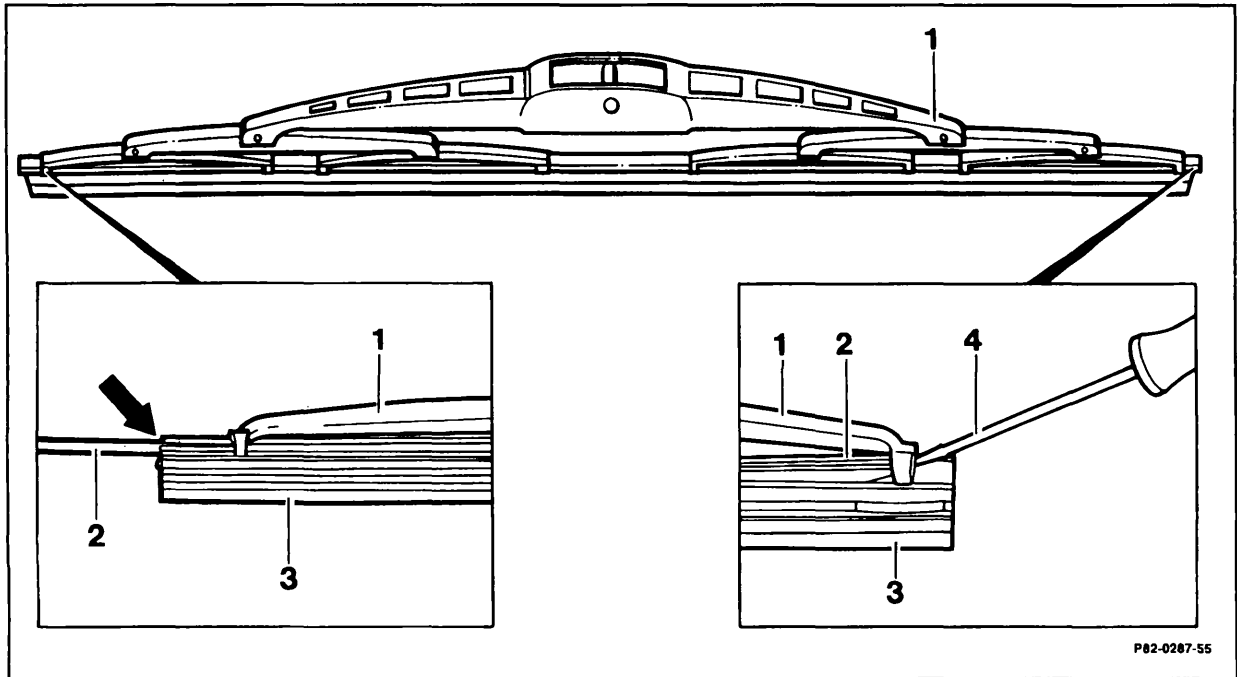
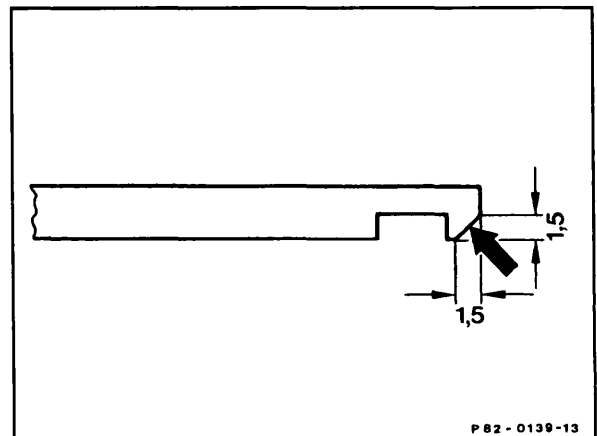


All models



P82-0287-55

- Remove wiper assembly (1) from arm.
- Pull retaining springs (2) out from the open profile end of the wiper blade (3).
- Disengage wiper blade (3) from wiper assembly brackets.
- Engage new wiper blade into wiper assembly brackets.
- Slide retaining springs into wiper blade from open profile end with curvature facing toward windshield. The retaining springs will engage more easily if the front corners are angled off (arrow) and coated with soapy water. Position retaining springs against solid surface and press into wiper assembly (1).
- Operate windshield wiper(s) and washer system. The wiped area should be cleared. Extremely dirty windshields should be cleaned on separate order.



P 82 - 0139 - 13